

BULBS

Up to 15 W for signal lights

Base: BA 7s

1 REQUIREMENTS

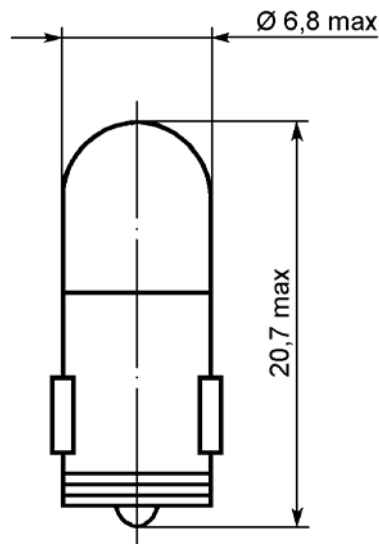
Base: BA 7s

Transparent evacuated bulbs.

Base dimensions and general manufacturing specifications as per STD 7641,42.

Free from burrs, sharp edges and other defects which may lessen the usability.

1.1 Dimensions



Voltage V		Wattage W		Luminous flux lm	Service life h		Bulb colour	Part No
Rated	Test	At rated voltage	Power draw $\pm 10\%$		B ₃	Tc		
12	13,5	2	2	9,4 $\pm 20\%$	–	1)	Clear	989772

1) Average service life, 200h

Part must comply with restricted substance management standard: WSS-M99P9999-A1 to help safeguard health, safety and the environment.

The copying, distribution and utilization of this document as well as the communication of its contents to others without expressed authorization is prohibited. Offenders will be held liable for payment of damages. All rights reserved in the event of the grant of a patent, utility model or ornamental design registration.

Document Name

BULB

Document Type

SINGLE-PART DRAWING

FMC Part No

Document No

01055084

Revision

002

Volume No

01

Page No (In this doc.)

1 (1)**VOLVO**

Volvo Car Corporation