

Change description

See CI 9147

Document Release Status

RELEASED

Release Date
2006-11-01

Version
1

BULBS

Up to 15 W for signal lights

Base: BA 15s

1 REQUIREMENTS

Base: BA 15s

Transparent evacuated bulbs.

Base dimensions and general manufacturing specifications as per STD 7641,42.

Free from burrs, sharp edges and other defects which may lessen the usability.

Part must comply with restricted substance management standard: WSS-M99P9999-A1 to help safeguard health, safety and the environment.

The copying, distribution and utilization of this document as well as the communication of its contents to others without expressed authorization is prohibited. Offenders will be held liable for payment of damages. All rights reserved in the event of the grant of a patent, utility model or ornamental design registration.

Document Name

BULB

Document Type

MULTI-PART DRAWING

FMC Part No

Document No

01055081

Revision

003

Volume No

01

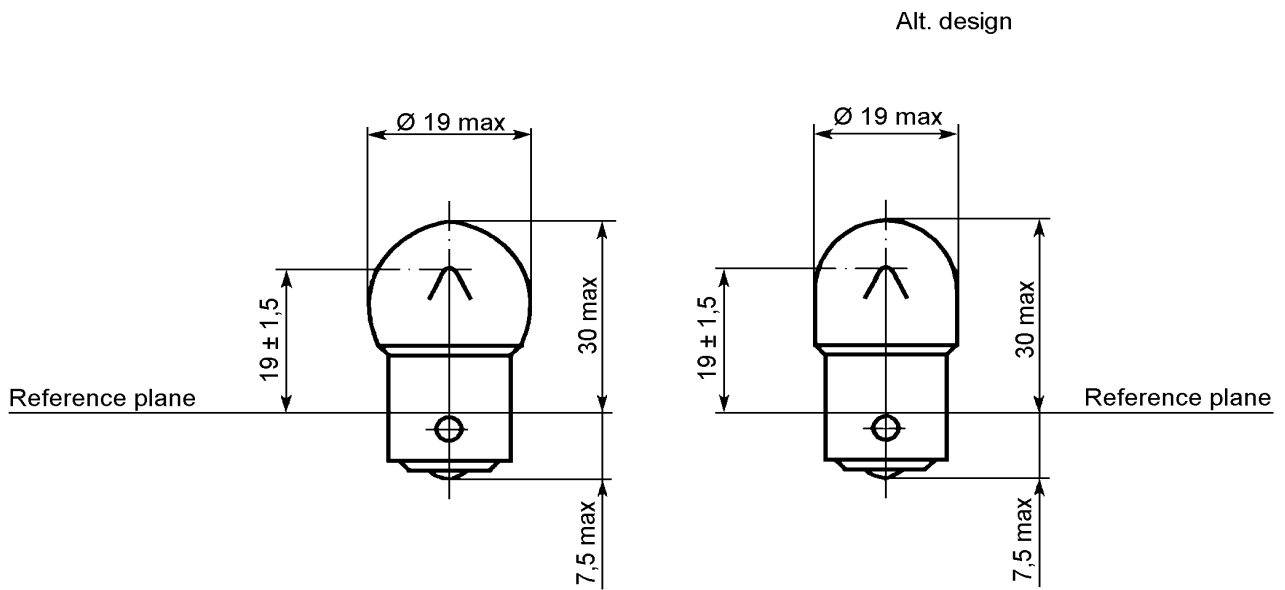
Page No (In this doc.)

1 (2)

VOLVO

Volvo Car Corporation

1.1 Dimensions



Voltage V		Wattage W		Luminous flux lm ±20%	Service life h		Bulb colour	Part No
Rated	Test	At rated voltage	Power draw ±10%		B ₃	T _c		
12	13,5	5	5	50	350	800	Clear	989760 1)
12	13,5	10	10	125	350	800	Clear	989761 1)
13,5	13,5	5	5	50	600	1200	Clear	989762 1)
12	13,5	4	4	50	–	3)	–	989763 2)
24	28	10	12,5	125	1000	2000	Clear	989764 1)

- 1) Lamp comply with ECE R 37
- 2) Lamp comply with SAE 67
- 3) Average service life 2000 h

VOLVO

Volvo Car Corporation

Document Name

BULB

Document Type

MULTI-PART DRAWING

Document No

01055081

Revision

003

Volume No

01

Page No (In this doc.)

2 (2)