

Change description

See CI 9134

Document Release Status

RELEASED

Release Date
2006-11-01

Version
1

BULBS

Up to 15 W for signal lights

Base: BA 9s

1 REQUIREMENTS

Base: BA 9s

Transparent evacuated bulbs.

Base dimensions and general manufacturing specifications as per STD 7641,42.

Free from burrs, sharp edges and other defects which may lessen the usability.

Part must comply with restricted substance management standard: WSS-M99P9999-A1 to help safeguard health, safety and the environment.

The copying, distribution and utilization of this document as well as the communication of its contents to others without expressed authorization is prohibited. Offenders will be held liable for payment of damages. All rights reserved in the event of the grant of a patent, utility model or ornamental design registration.

Document Name

BULB

Document Type

MULTI-PART DRAWING

FMC Part No

Document No

01055082

Revision

002

Volume No

01

Page No (In this doc.)

1 (2)

VOLVO

Volvo Car Corporation

1.1 Dimensions

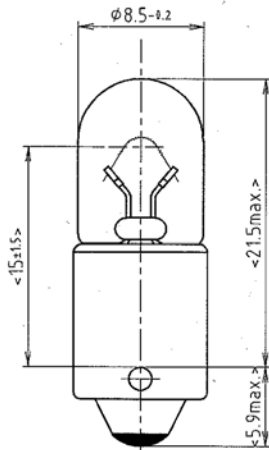


Figure 1

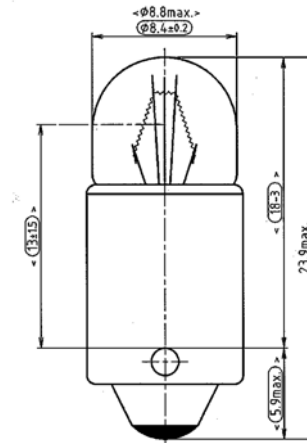


Figure 2

< > Standard characteristic

○ Key characteristic

Voltage V		Wattage W		Luminous flux lm	Service life h		Bulb colour	Part No
Rated	Test	At rated voltage	Power draw		B ₃	T _C		
12	13,5	2	2 ± 8%	12,5 ± 25%	300	750	Clear	989765 2) 4)
12	13,5	3	3 ± 10%	28 ± 18%	—	5)	Clear	989766 1) 4)
12	13,5	4	4 ± 10%	35 ± 20%	600	1200	Clear	989767 1) 3)
12	13,5	5	5 ± 15%	50 ± 20%	400	1000	Clear	989768 3)
24	28	2	3 ± 15%	17,5 ± 30%	1000	2000	Clear	989769 2) 4)

- 1) Lamp comply with ECE R 37
- 2) Lamp comply with DIN standard
- 3) Figure 1
- 4) Figure 2
- 5) Average service life, 200 h

VOLVO

Volvo Car Corporation

Document Name

BULB

Document Type

MULTI-PART DRAWING

Document No

01055082

Revision

002

Volume No

01

Page No (In this doc.)

2 (2)