

Change description

See CI 9146

Document Release Status

RELEASED

Release Date

2006-11-01

Version

1

BULBS

Up to 25 W for signal lights

Base: BA 15s

1 REQUIREMENTS

Base: BA 15s

Gas-filled glass bulbs.

Base dimensions and general manufacturing specifications as per STD 7641,42.

Free from burrs, sharp edges and other defects which may lessen the usability.

Part must comply with restricted substance management standard: WSS-M99P9999-A1 to help safeguard health, safety and the environment.

The copying, distribution and utilization of this document as well as the communication of its contents to others without expressed authorization is prohibited. Offenders will be held liable for payment of damages. All rights reserved in the event of the grant of a patent, utility model or ornamental design registration.

Document Name

BULB

Document Type

MULTI-PART DRAWING

FMC Part No

Document No

01055080

Revision

003

Volume No

01

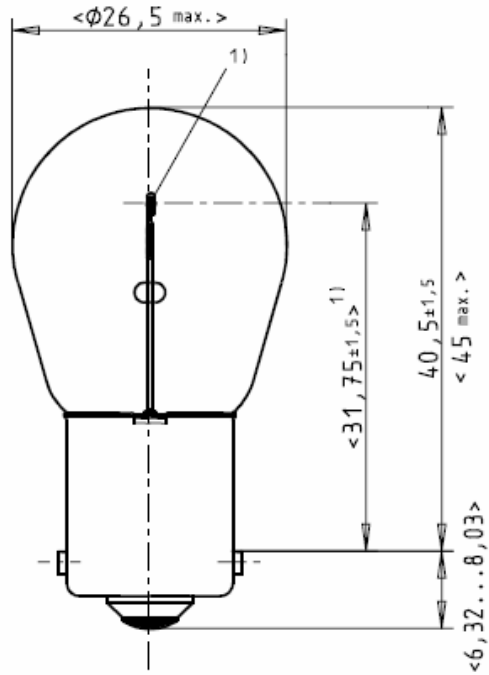
Page No (In this doc.)

1 (2)

VOLVO

Volvo Car Corporation

1.1 Dimensions



Voltage V		Wattage W		Luminous flux lm	Service life h		Bulb colour	Part No
Rated	Test	At rated voltage	Power draw		B ₃	T _c		
12	13,5	15	–	210 ±	–	75 1)	Clear	989755
12	13,5	21	–	460 ±15%	–	150 1)	Clear	989756
12	13,5	21	25,0 ±6%	460 ±15%	500	1000	Clear	989757
12	12,8	32	26,9 ±5%	402 ±10%	700	1500	Clear	989758
24	28	25	–	430 ±	–	75 1)	Clear	989759

1) Average service life

VOLVO

Volvo Car Corporation

Document Name

BULB

Document Type

MULTI-PART DRAWING

Document No

01055080

Revision

003

Volume No

01

Page No (In this doc.)

2 (2)